

Isolation Drains

FD-600

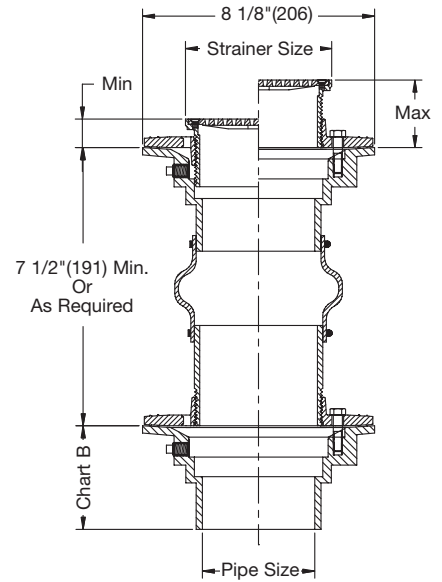
Isolation Floor Drain

Model Number	Weight (lbs.)	Strainer Size	Pipe Size	Strainer	List Price
FD-602, 3, 4-A5	17	5"	2,3,4"	nickel bronze	\$1,323.50
FD-602, 3, 4-A6	17.5	6"	2,3,4"	nickel bronze	1,431.50
FD-602, 3, 4-A8	23	8"	2,3,4"	nickel bronze	1,694.00



Chart A		
Str. Dia.	Min.	Max.
5"	13/16"	3 1/4"
6"	7/8"	3 3/8"
8"	7/8"	3 3/4"

Chart B					
Pipe Size	No Hub	Push On	Female Thread	Inside Caulk	PVC/ABS
2"	3 5/8"	3 5/8"	4 1/4"	4 1/4"	3 3/4"
3"	3 5/8"	4"	4 1/4"	4 1/4"	3 5/8"
4"	3 5/8"	4"	4 1/4"	4 1/4"	3 7/8"



See FD-320 Options on page 38.

See FD-100 Options on page 16.

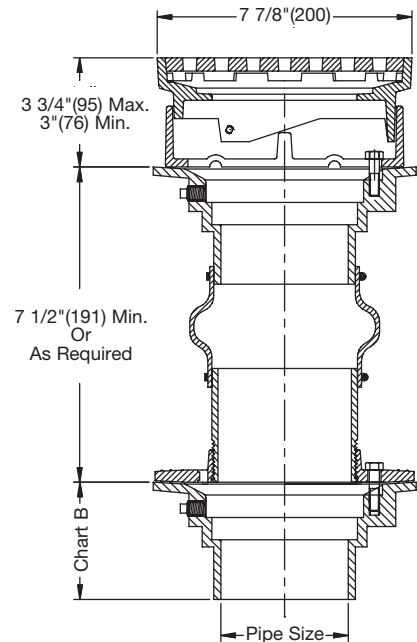
FD-620

Isolation Area Drain

Model Number	Weight (lbs.)	Str. Size	Pipe Size	Strainer	List Price
FD-622, 3, 4	25	8"	2, 3, 4"	ductile iron	\$1,684.50
FD-622, 3, 4-1	25	8"	2, 3, 4"	nickel bronze	2,225.50



Chart B					
Pipe Size	No Hub	Push On	Female Thread	Inside Caulk	PVC/ABS
2"	3 5/8"	3 5/8"	4 1/4"	4 1/4"	3 3/4"
3"	3 5/8"	4"	4 1/4"	4 1/4"	3 5/8"
4"	3 5/8"	4"	4 1/4"	4 1/4"	3 7/8"



Note: Funnels are ordered separately. See page 63 for details.

See FD-320 Options on page 38.

Supplied By:

877-903-7246
www.commercialplumbingsupply.com



Consult factory for all applications outside of listed parameters. Prices do not include applicable taxes.